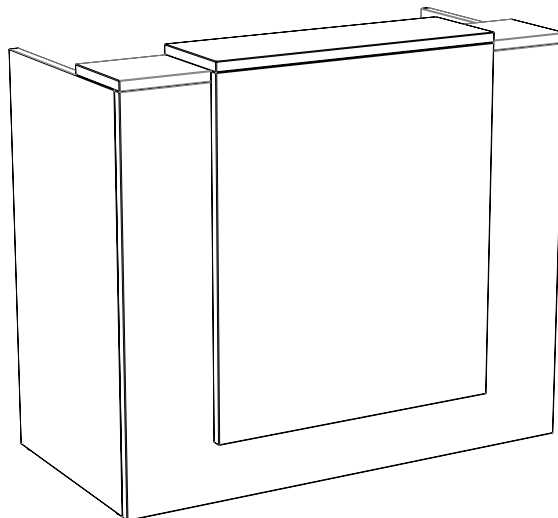
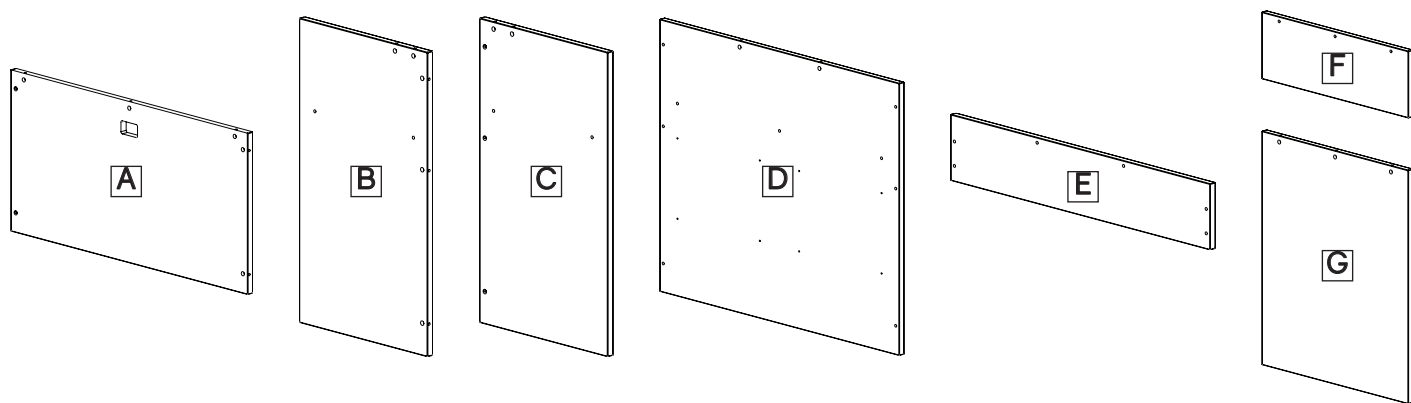


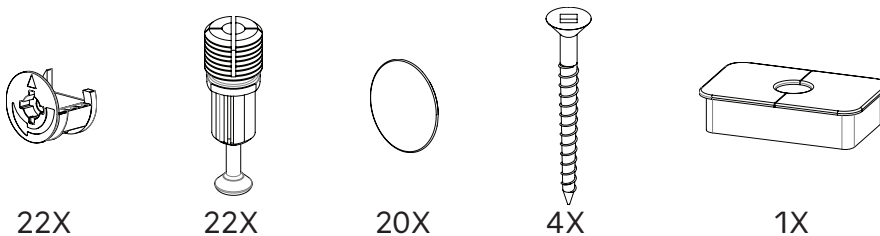
ASSEMBLY INSTRUCTIONS



PARTS INCLUDED



HARDWARE INCLUDED



TOOLS REQUIRED

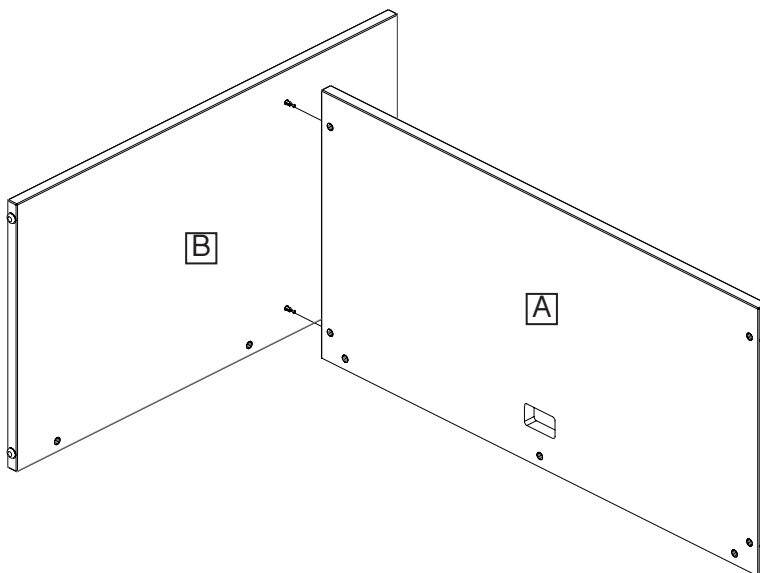


DISCLAIMER

- Two people are recommended for the assembly of this product.
- Use hardware provided and tools recommended to avoid any product faults.
- Always assemble product on a clean soft surface to avoid scratching.

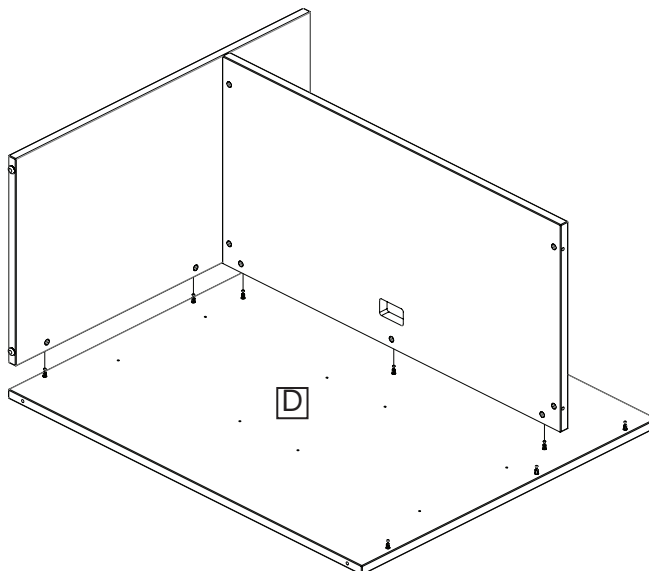
STEP 1

Connect desk top **A** and right gable **B** as shown. Fasten pins and cams.



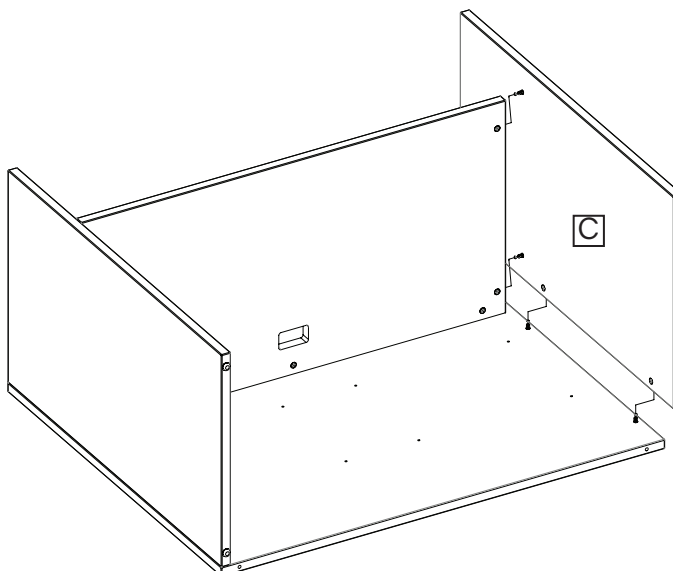
STEP 2

Lay back **D** flat and lower top and gable onto back. Do not fasten pins and cams until next step.



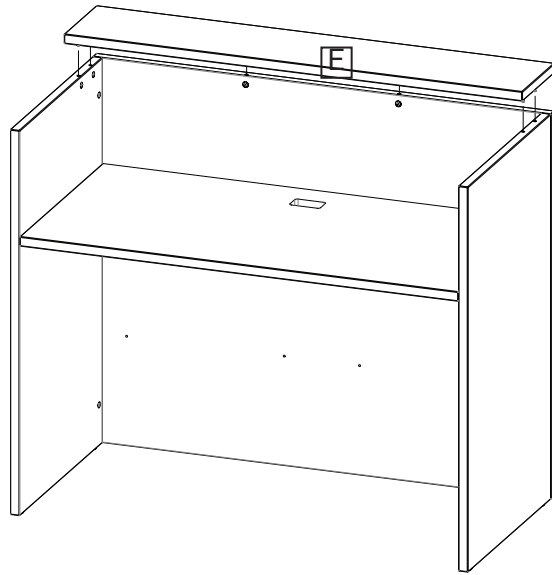
STEP 3

Attach left gable **C**. Fasten all pins and cams and lift unit right side up.



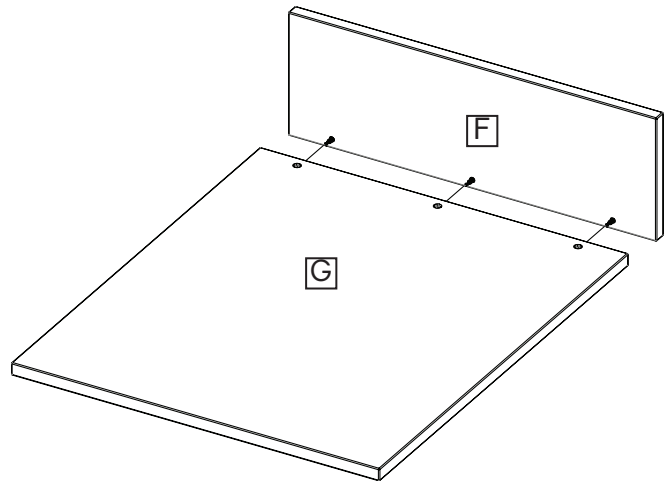
STEP 4

Assemble transaction top **E**. Fasten pins and cams.



STEP 5

Assemble waterfall top **F** and back **G** as shown. Fasten pins and cams.



STEP 6

Position waterfall on center of transaction top. Secure waterfall with screws through back of unit as shown. Use cover caps to cover any visible cams and screws.

