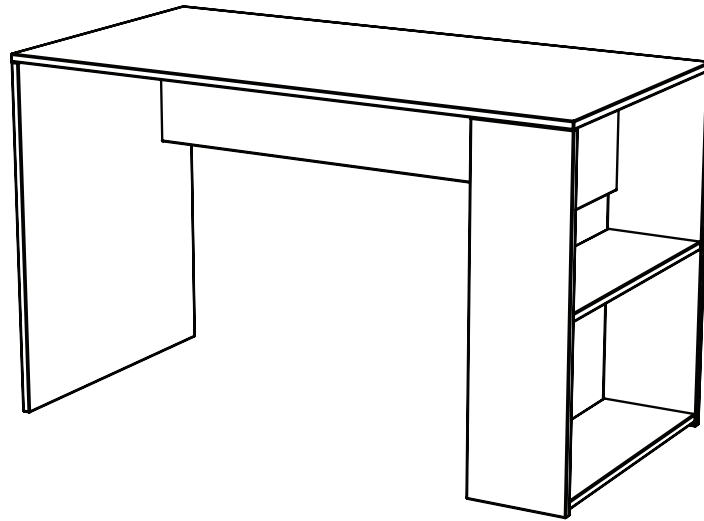
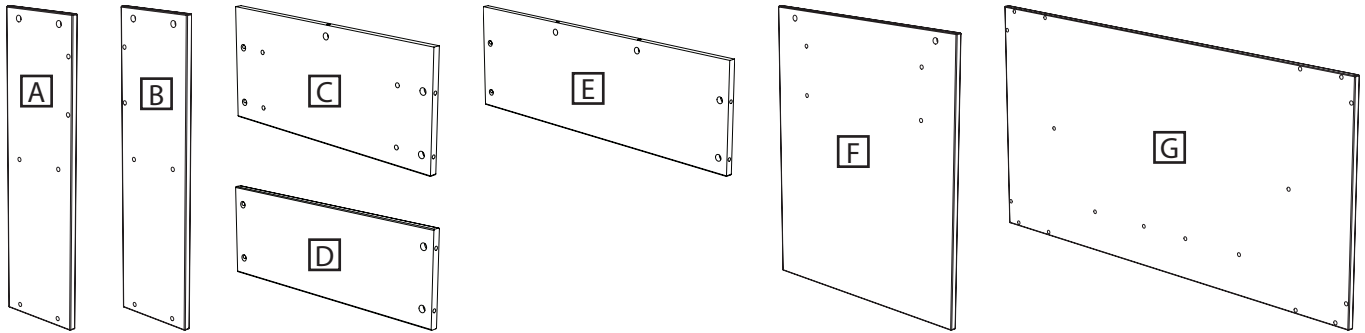


BELAIR

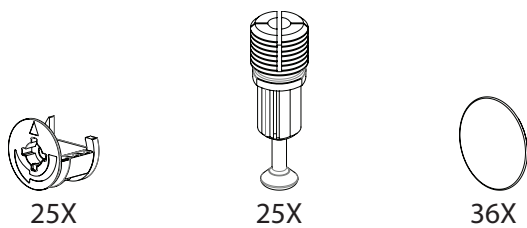
COMBO DESK ASSEMBLY INSTRUCTIONS



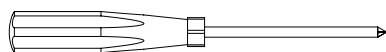
PARTS INCLUDED



HARDWARE INCLUDED



TOOLS REQUIRED



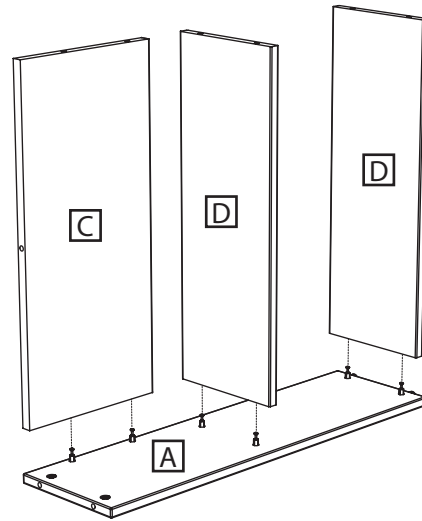
#2 Phillips screwdriver

DISCLAIMER

- Two people are recommended for the assembly of this product.
- Use hardware provided and tools recommended to avoid any product faults.
- Always assemble product on a clean soft surface to avoid scratching.

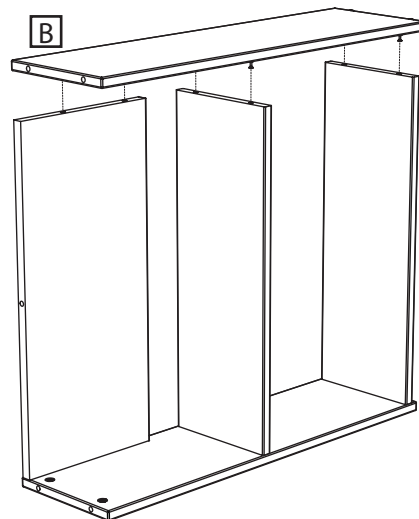
STEP 1

Lay left bookcase gable **A** flat to begin. Attach bottom **D**, fixed shelf **D**, and bookcase back **C**. Tighten all applicable cams and pins.



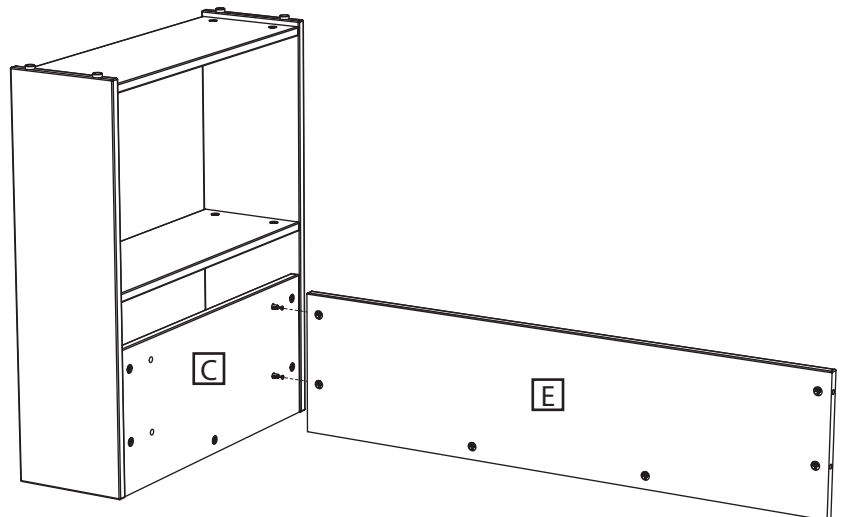
STEP 2

Next attach right bookcase gable **B**. Tighten all applicable cams and pins.



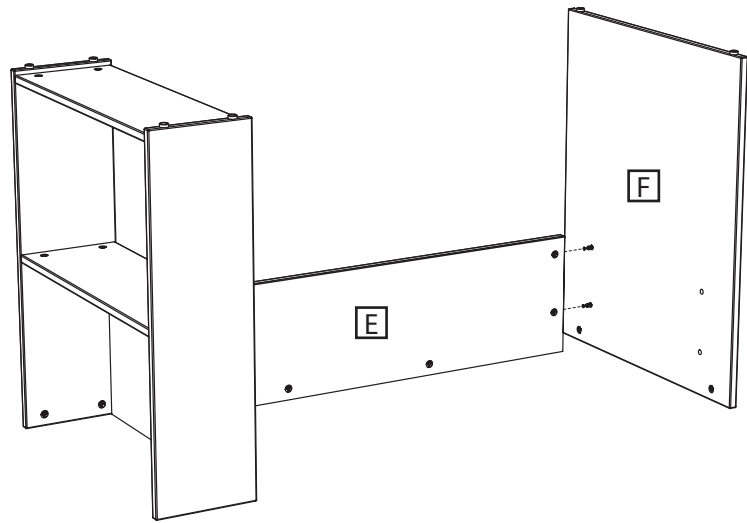
STEP 3

Flip bookcase unit up-side-down and attach back **E** to bookcase back **C**. Note: Unit is universal and therefore bookcase can be installed on the left or right. (Right hand configuration shown)



STEP 4

Attach desk end **F** to back **E**, and flip unit upright.



STEP 5

Attach top **G** and ensure all cams and pins are properly tightened. Cover any visible cams or extra holes with cover caps.

