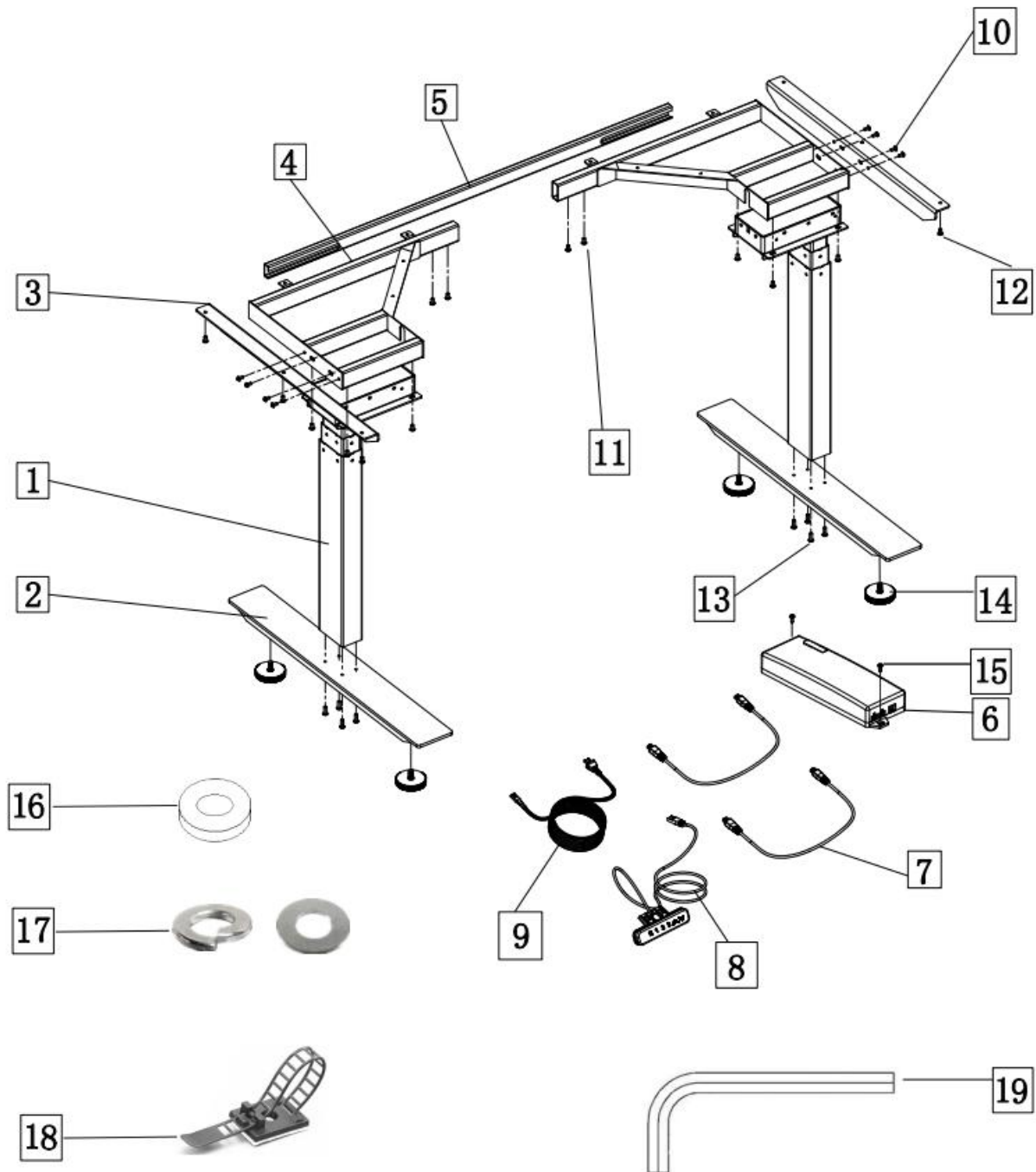


2 Leg Desk Assembly Instructions

a. Assembly Diagram



BELAIR

E: Customerservice@belairop.ca
P: 519-451-4118
<http://belairop.ca/>

Belair Office Products
100 Falcon St, London Ontario,
N5W 4Z1, Canada

b. Packing list

Hardware Section

- 1. Lifting Column ----- 2pcs
- 2. Foot ----- 2pcs
- 3. Upper Side Support ----- 2pcs
- 4. Framework ----- 2pcs
- 5. Extendable Tube ----- 1pcs

Control Section

- 6. Control Box ----- 1pc
- 7. 1.5m Patch Cord ----- 2pcs
- 8. Handset ----- 1pc
- 9. Power Cord-2.77m ----- 1pc

Accessory Package

- 10. Bolt M6x16 ----- 16pcs
- 11. Bolt M6x10 ----- 4pcs
- 12. Screws #12x3/4 ----- 14pcs
- 13. Bolt M6x20 ----- 8pcs
- 14. Leveling Glide ----- 4pcs
- 15. Screws #8x3/4 ----- 9pcs
- 16. Rubber Pad ----- 14pcs
- 17. Lock and Flat Washer ----- 24pcs
- 18. Cable Tie ----- 5pcs
- 19. 4mm Hex Wrench ----- 1pcs

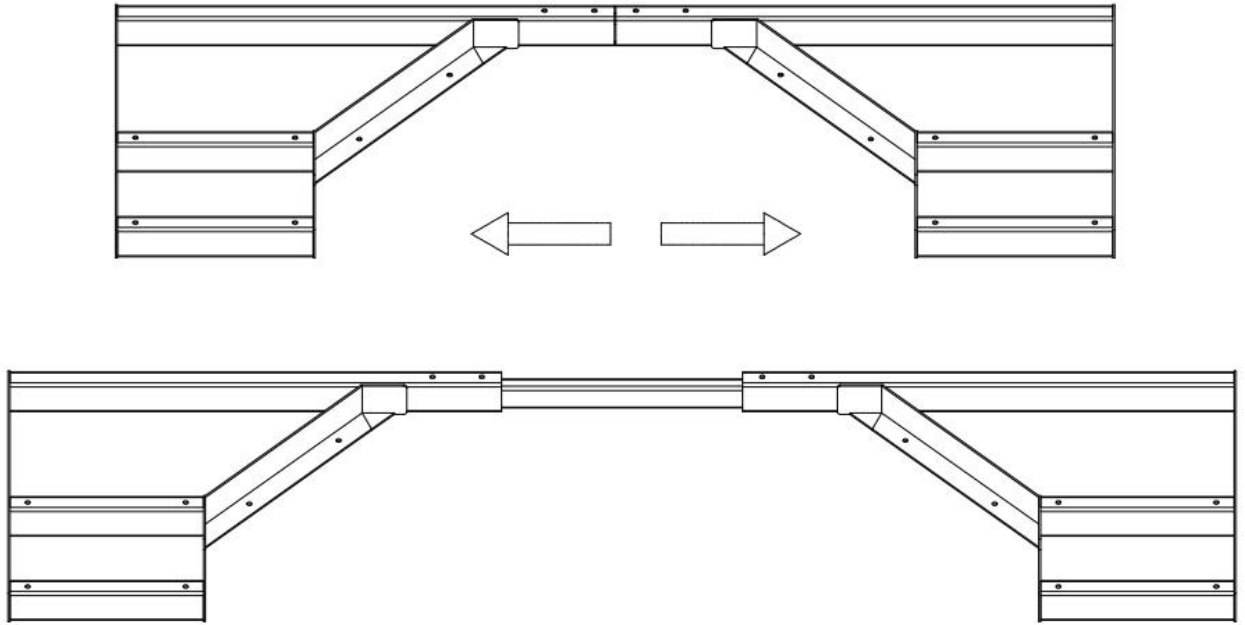


E: Customerservice@belairop.ca
P: 519-451-4118
<http://belairop.ca/>

Belair Office Products
100 Falcon St, London Ontario,
N5W 4Z1 ,Canada

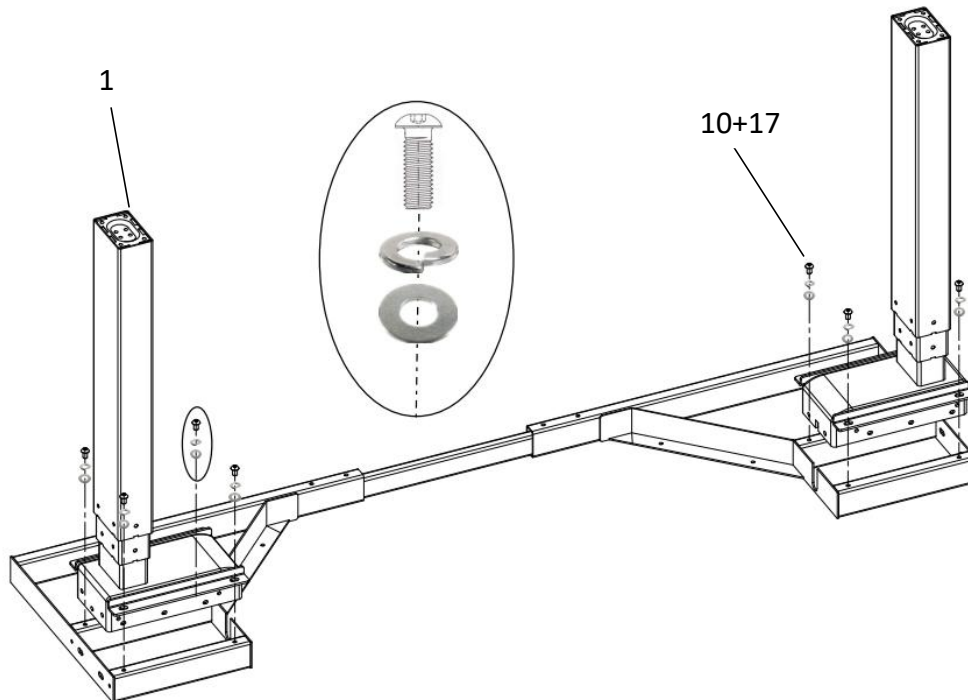
c. How to Set Up the Base Frame.

1. Take out the Framework x2 from carton.



2. Install Lifting Column x2(Part 1) to Framework x2(Part 5) with Bolt x8(Part 10,M6x16) and Lock&Flat washer x8(Part 17).

		
M6x16	Lock&Flat Washer	
8pcs-Part 10	8pcs-Part 17	



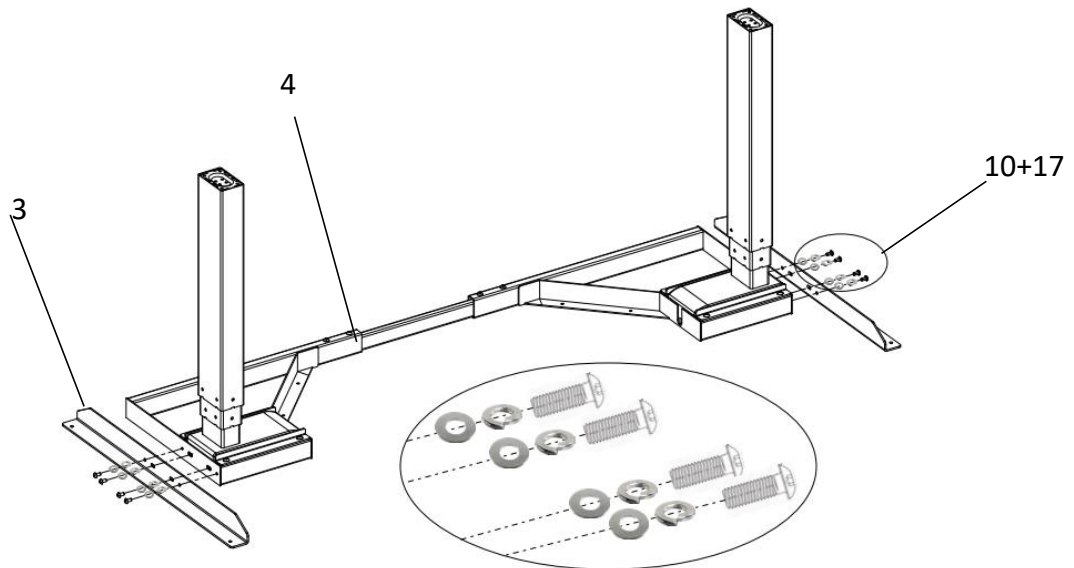
BELAIR

E: Customerservice@belairop.ca
P: 519-451-4118
<http://belairop.ca/>

Belair Office Products
100 Falcon St, London Ontario,
N5W 4Z1, Canada

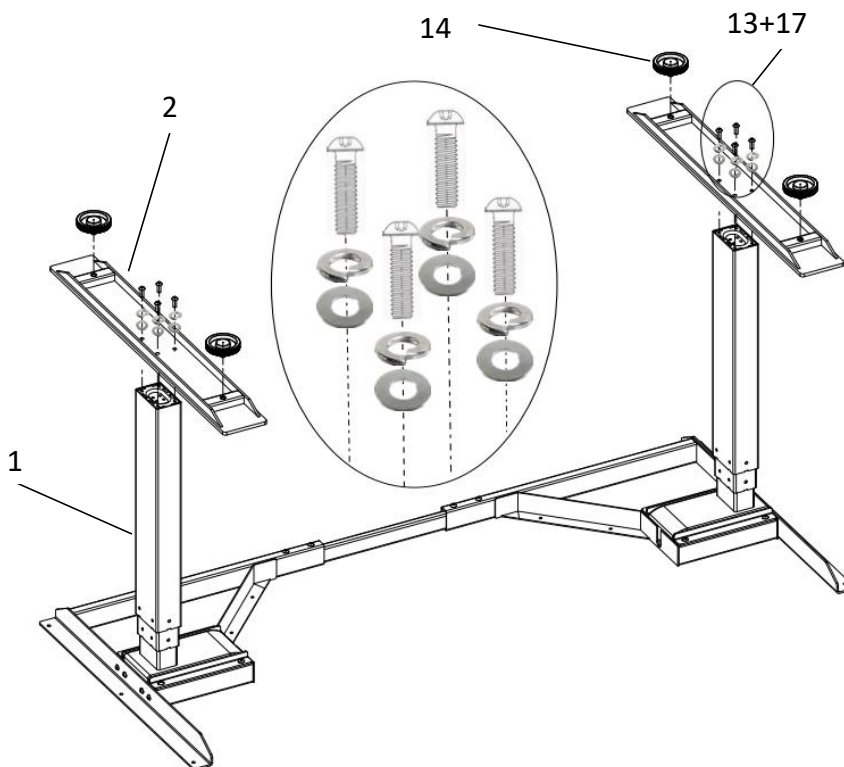
3. Install Upper Side Support x2(Part 3) to Framework x2(Part 4) with Bolt x8(Part 10 M6x16) and Lock&Flat Washer x8(Part 17)

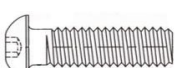

		
M6x16	Lock&Flat Washer	
8pcs-Part 10	8pcs-Part 17	



4. Install Foot x2(Part 2) to Lifting Column x2(Part 1) with Bolt x8(Part 13 M6x20) and Lock&Flat Washer x8(Part 17).
Install Leveling Glide x4(Part 14) to Foot x2(Part 2)

	
Lock&Flat Washer	
8pcs-Part 17	



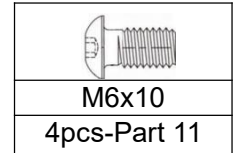
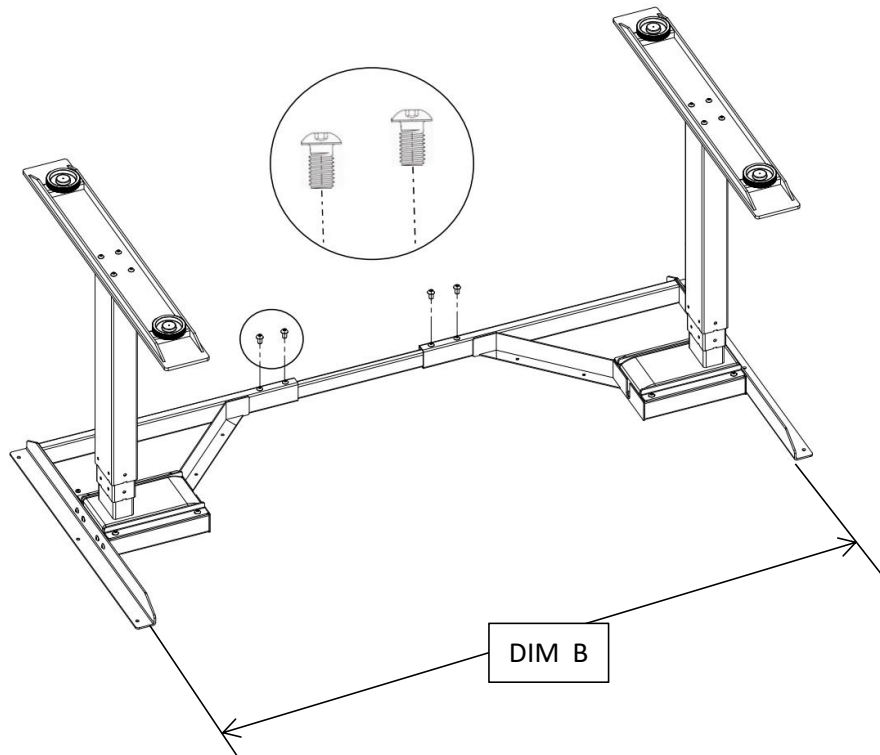
	
M6x20	Leveling Glide
8pcs-Part 13	4pcs-Part 14

BELAIR

E: Customerservice@belairop.ca
P: 519-451-4118
<http://belairop.ca/>

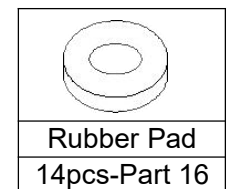
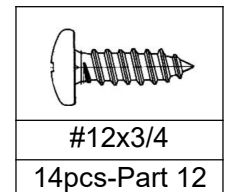
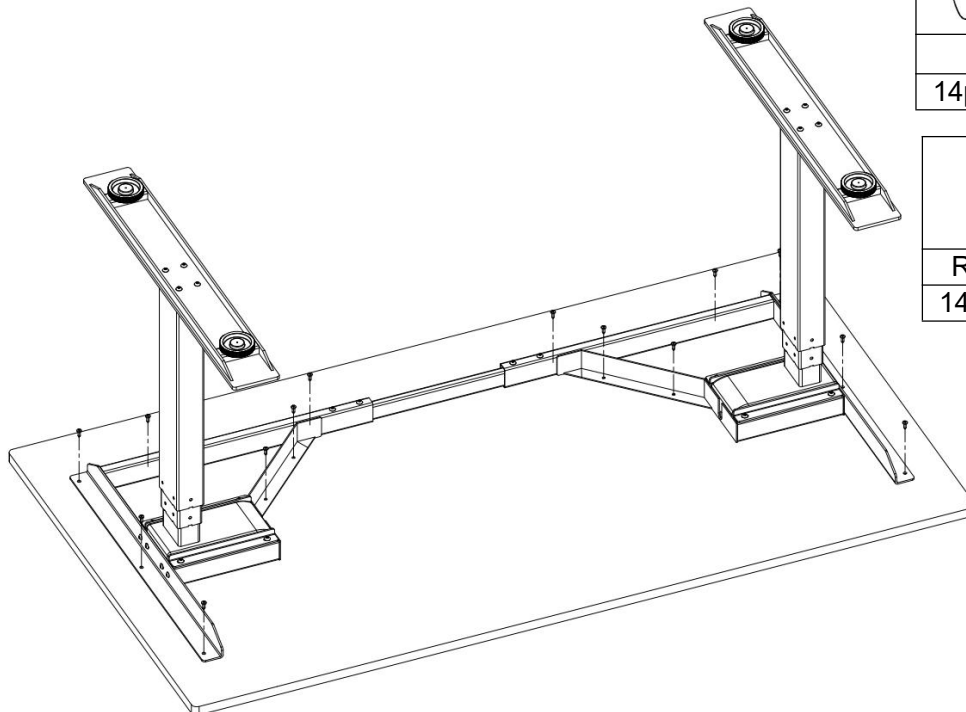
Belair Office Products
100 Falcon St, London Ontario,
N5W 4Z1, Canada

5. Set the width of base(DIM B) according to width of desktop,then tighten the bolt x4(Part 11,M6x10) to set the base frame to correct width.



6. Install desk frame to desktop with Screws x14(Part 12 #12x3/4),Rubber Pad x14 (Part 16).

Note:Rubber Pad is to stuck on top of desk frame.

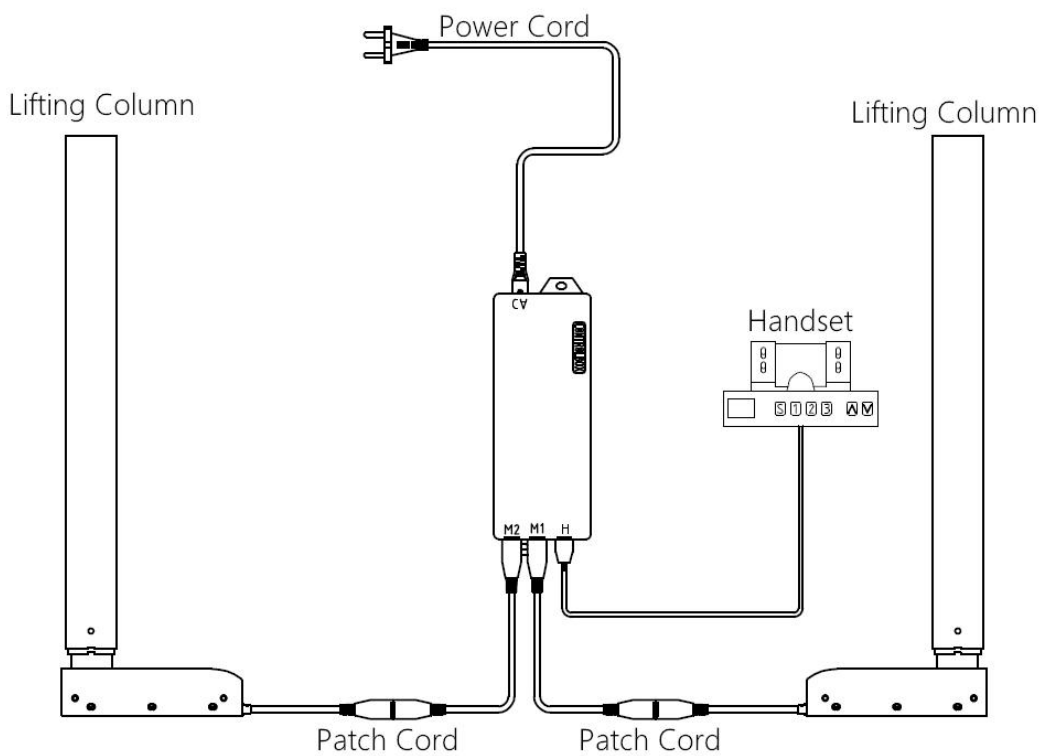
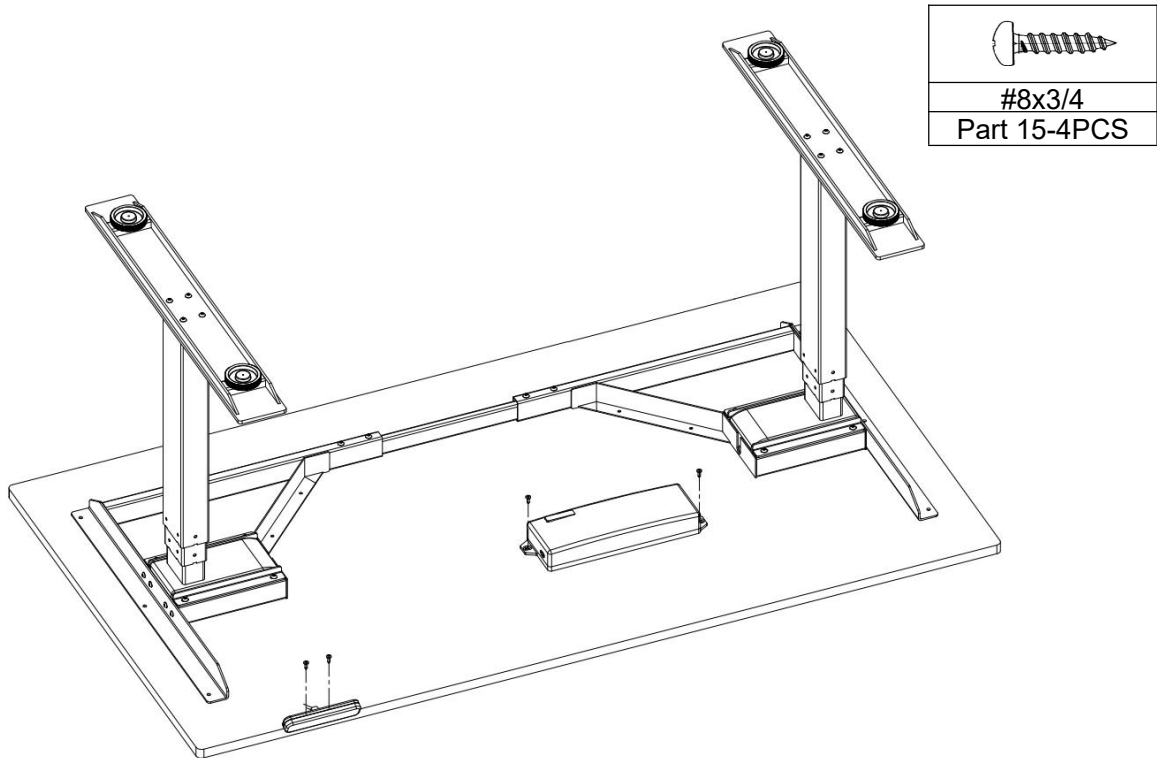


BELAIR

E: Customerservice@belairop.ca
P: 519-451-4118
<http://belairop.ca/>

Belair Office Products
100 Falcon St, London Ontario,
N5W 4Z1 ,Canada

7. Install Control Box x1(Part 6)and Handset x1(Part 8) to desktop with Screw x4(Part 15,#8x3/4).



BELAIR

E: Customerservice@belairop.ca
P: 519-451-4118
<http://belairop.ca/>

Belair Office Products
100 Falcon St, London Ontario,
N5W 4Z1, Canada

8. Attach Patch Cords x2(Part 7) to 6 Pin connector on Control box (Part 6) and 6Pin connector on Lifting columns (Part 1).
9. Attach Handset RJ45 connector (Part 8) to Control Box switch port (Part 6).
10. Install the Power Cord(Part 9) to Control Box (Part 6).
11. Plug Power Cord into Power Supply.
12. Initialize table by pressing and holding down the down button on the handset for 5 seconds. The handset will display "RES" to confirm the reset command.
13. Table is ready for use. Consult User instructions for more display and calibration options.

BELAIR

E: Customerservice@belairop.ca
P: 519-451-4118
http://belairop.ca/

Belair Office Products
100 Falcon St, London Ontario,
N5W 4Z1 ,Canada